

Your grinding solution is ready!

CG High performance grinding machine with short delivery time.

GO FAST! 15750 sfpm with conventional abrasive.



HIGH PRODUCTION EXTERNAL GRINDING SOLUTION

The CG range of external grinding machine is the answer to your most complex and demanding challenges. A family of solutions designed for maximum productivity, without compromising precision or quality.

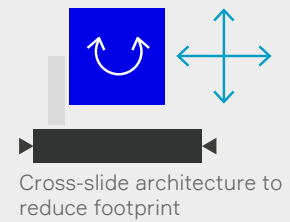
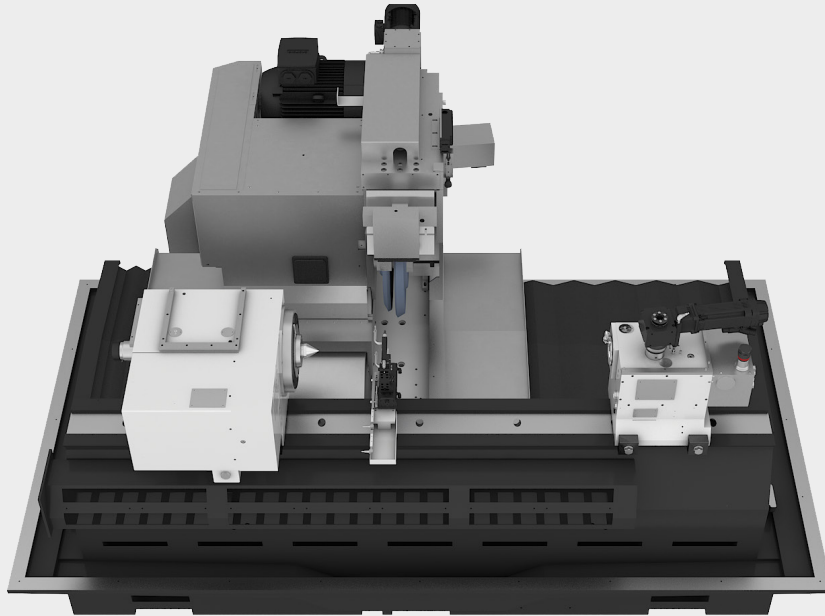
CG machines guarantee long-life grinding solutions under the most demanding 24/7 manufacturing conditions.

- Near 100% availability
- Lowest cost per part
- Short changeover time
- Reduced footprint
- ECO machine
- Increased productivity
- Automated solutions
- 24/7 machine availability

HIGH-PRODUCTION GRINDING MACHINE. BEST PART/COST RATIO

CORE TECHNOLOGY

- 15750 sfpm with conventional abrasive. A winning combination: speed and an in-depth understanding of grinding
- Optidress: the new way of dressing. Ask for details
- Workhead with built-in motor. Much more than a workhead
- Wide range of tailstock with 3.15 – 23.62 inches strokes. Customizable wheelhead



AVAILABILITY

We work to ensure that our grinding machines provide near 100% availability.

- Critical components built in-house
- Exchange program for main machine components

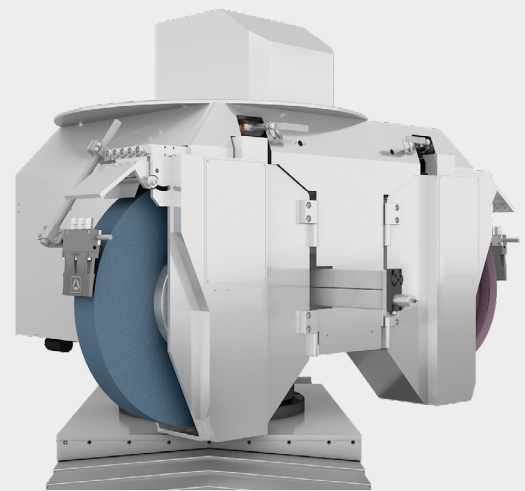
AUTOMATED SOLUTIONS

To ensure shorter production times and thus increase productivity, different types of integrated loading can be offered with CG machines.

CG RANGE

CG-600/CG-1000/CG-1800

Max. distance between centers	600 mm - 1000 mm - 1800 mm 23.62" - 39.37" - 70.9"
Max. diameter to be ground	440 mm - 440 mm - 440 (540) mm 17.3" - 17.3" - 17.3" (21")
Max. weight between centers	500 kg 1,100 lb
Max. grinding wheel size	Ø610 mm x 80 (160 mm) Ø24 x 3.15 (6.3")
Max. wheel peripheral speed	80 m/s 16000 sfpm
Internal grinding spindle	Optional accessory



B-axis for multiple spindle wheelheads

Danobat INC

1914 S. Houston Ave. - Humble, Texas 77396 - USA
+1 281 812 4259
www.danobatusa.com

DANOBATGROUP

